



Egida



Egida

The mobile bollard system to stop vehicles and protect pedestrians



| | |
|--------------------------------|--|
| Material: | Steel |
| Dimensions (l x w x h): | 1,000 x 1,000 x 1,010 mm |
| Weight: | 281 kg per element |
| Color: | Grey RAL 7016 |
| Connection System: | By pins |
| Impact Resistance: | In a collision with a 3,500 kg vehicle at a speed of 48 km/h, Egida shifts less than a meter |
| Loading Capacity: | 30 units per standard trailer |

Applications

Protecting people from vehicle attacks is not just a task for governments. This responsibility is shared by both the private and the public sector. The hostile vehicle mitigation system was developed to address the growing risk of pedestrian assaults by hostile vehicle attacks. The cutting-edge system meets the need in the public sector as venues, markets and event spaces are often not designed to protect property and pedestrians from rogue vehicle attacks. The state-of-the-art bollard system effectively deters vehicle drivers, brings them to a stop and can thus help prevent such attacks.

Features

Egida has an hexagonal shape and is made of steel. The innovative bollard system is based on a modular construction principle that makes it simple but unique. As a result, Egida offers a wide range of

functions. Depending on the requirements, the system can be easily adapted to the respective environment. Two operators are enough to assemble the transportable hexagons with using a manual crane. It does not require frequent maintenance. Egida boasts a certified technology according to IWA 14-2:2013 and PAS 68:2013 standards.

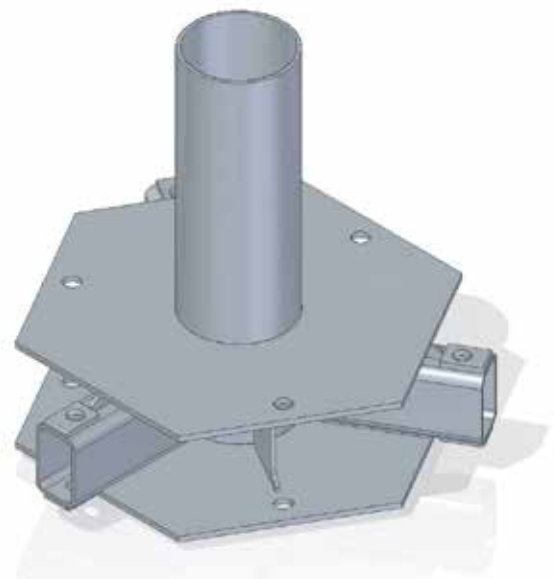
Optional Extras

Upon request, we will be happy to support you with the necessary services such as transport, assembly and disassembly.



01 Camouflaged with plants: Egida offers many set-up options, such as here in the center of Udine in Italy during a relay race organized by Telethon | **02** In a collision with a 3,500 kg vehicle at a speed of 48 km/h, Egida shifts less than a meter, as this crash test shows | **03** At events in city centers, Egida proves to be an effective roadblock | **04** The 3-D drawing shows the structure of a single module

04



**WHEREVER
YOU GO, WE
ARE THERE ...**